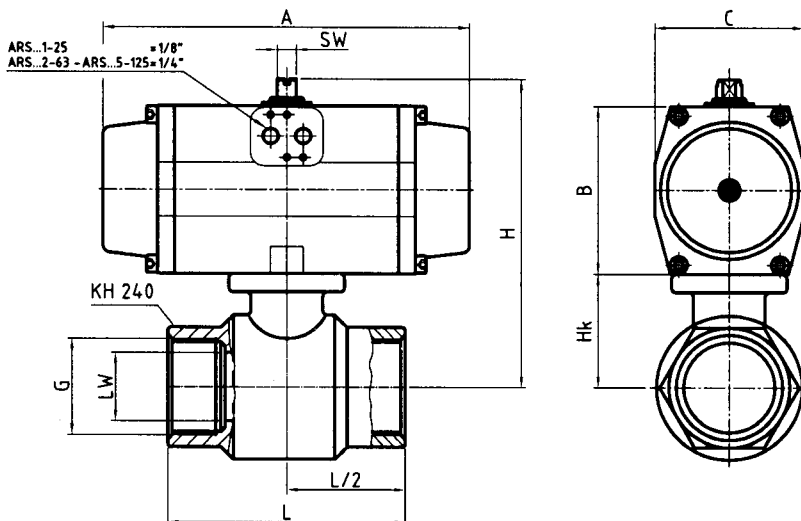
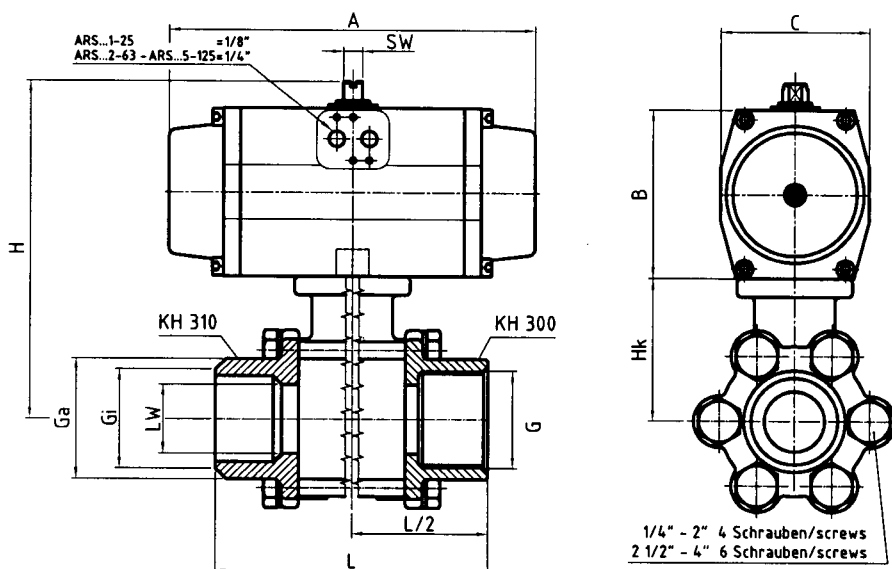


# Automatik - Kugelhähne mit Gewinde und Anschweißenden Typ KH 240 / 300 / 310

## Automatic - Ball Valves with screwed ends and butt weld ends Type KH 240 / 300 / 310



KH 240 - ETE				Antr. ARSD doppelwirkend ( Double Acting )						Antr. ARSE einfachwirkend ( Spring Return )						
G	DN	LW	Hk	L	Typ	A	B	C	SW	H	Typ	A	B	C	SW	H
1/4"	8	12	39.5	50	ARS...1-25	135	67	60	8	126.5	ARS...1-25	135	67	60	8	126.5
3/8"	10	12	39.5	50	ARS...1-25	135	67	60	8	126.5	ARS...1-25	135	67	60	8	126.5
1/2"	15	15	39.5	60	ARS...1-25	135	67	60	8	126.5	ARS...2-63	150	83	73	8	142.5
3/4"	20	20	42.5	70	ARS...1-25	135	67	60	8	126.5	ARS...2-63	150	83	73	8	145.5
1"	25	25	50.6	80	ARS...2-63	150	83	73	8	153.6	ARS...3-75	204	100	85	10	170.6
1 1/4"	32	32	55.8	95	ARS...2-63	150	83	73	8	158.8	ARS...3-75	204	100	85	10	175.8
1 1/2"	40	38	66.5	105	ARS...3-75	204	100	85	10	186.5	ARS...3.5-85	230	110	98	14	196.5
2"	50	50	74.5	120	ARS...3-75	204	100	85	10	194.5	ARS...3.5-85	230	110	98	14	204.5
2 1/2"	65	65	113	160	ARS...3.5-85	230	110	98	14	243	ARS...4-100	271	125	110	14	258
3"	80	80	124	178	ARS...4-100	271	125	110	14	269	ARS...4.5-115	305	142	128	20	296
4"	100	100	138	230	ARS...4.5-115	305	142	128	20	310	ARS...5-125	360	155	140	20	323



KH 300 - ETE / KH 310 - ETE				Antr. ARSD doppelwirkend ( Double Acting )						Antr. ARSE einfachwirkend ( Spring Return )									
G	DN	LW	Hk	Gi	G	Typ	A	B	C	SW	H	Typ	A	B	C	SW	H		
1/4"	8	10	39.5	55	17	13	14	ARS...1-25	135	67	60	8	126.5	ARS...1-25	135	67	60	8	126.5
3/8"	10	12.5	39.5	55	18	13	18	ARS...1-25	135	67	60	8	126.5	ARS...1-25	135	67	60	8	126.5
1/2"	15	15	39.5	65	21.3	17	22	ARS...1-25	135	67	60	8	126.5	ARS...2-63	150	83	73	8	142.5
3/4"	20	20	42.5	75	26.9	22	27.5	ARS...1-25	135	67	60	8	129.5	ARS...2-63	150	83	73	8	145.5
1"	25	25	50.6	85	33.7	28	34.5	ARS...2-63	150	83	73	8	153.6	ARS...3-75	204	100	85	10	170.6
1 1/4"	32	32	55.8	100	42	37	43	ARS...2-63	150	83	73	8	158.8	ARS...3-75	204	100	85	10	175.8
1 1/2"	40	38	66.5	110	48.3	43	49	ARS...3-75	204	100	85	10	186.5	ARS...3.5-85	230	110	98	14	196.5
2"	50	50	74.5	130	60.3	54	61.5	ARS...3-75	204	100	85	10	194.5	ARS...3.5-85	230	110	98	14	204.5
2 1/2"	65	65	113	160	76.1	72	77	ARS...3.5-85	230	110	98	14	243	ARS...4-100	271	125	110	14	258
3"	80	80	124	185	88.9	84	90	ARS...4-100	271	125	110	14	269	ARS...4.5-115	305	142	128	20	296
4"	100	100	138	220	114.3	109	115.5	ARS...4.5-115	305	142	128	20	310	ARS...5-125	360	155	140	20	323

Beachten : Antriebsauslegung nur für Standard Einsatzfälle gültig !!

Parameter wie z.B. stark entfettende Medien, hohe Temperaturen und Differenzdrücke im Grenzbereich werden hier nicht berücksichtigt.

Attention : Above mentioned actuators are selected for standard applications !!

Abnormalities e.g. non-lubricating fluids, limited temperature and pressure conditions are not considered.

ООО «ТИ-СИСТЕМС» ИНЖИНИРИНГ И ПОСТАВКА ТЕХНОЛОГИЧЕСКОГО ОБОРУДОВАНИЯ

Интернет: [www.tisys.ru](http://www.tisys.ru) [www.tisys.kz](http://www.tisys.kz) [www.tisys.by](http://www.tisys.by) [www.tesec.ru](http://www.tesec.ru) [www.ти-системс.рф](http://www.ти-системс.рф)

Телефоны: +7 (495) 7774788, 7489626, (925) 5007155, 54, 65 Эл. почта: [info@tisys.ru](mailto:info@tisys.ru) [info@tisys.kz](mailto:info@tisys.kz) [info@tisys.by](mailto:info@tisys.by)